

A

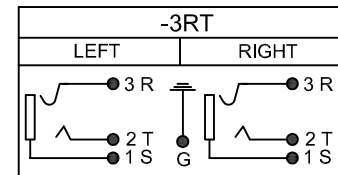
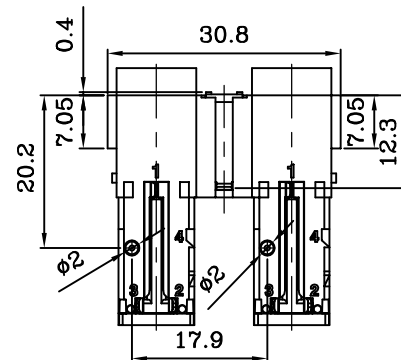
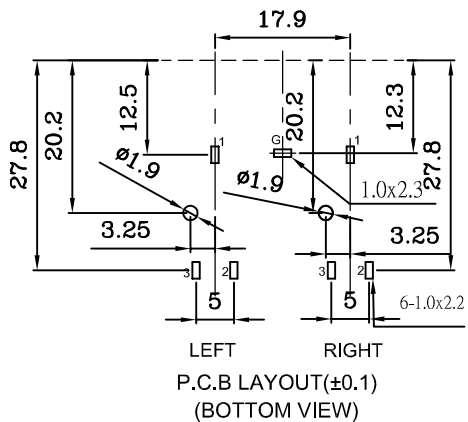
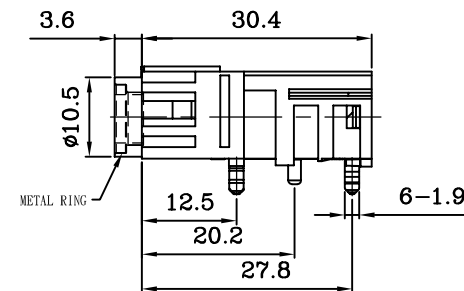
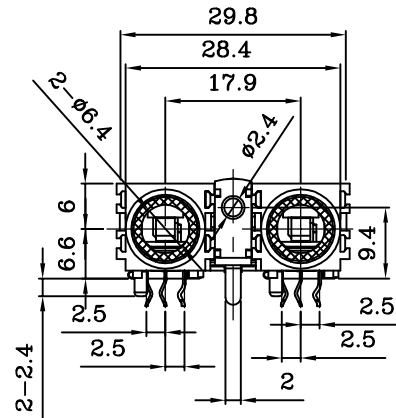
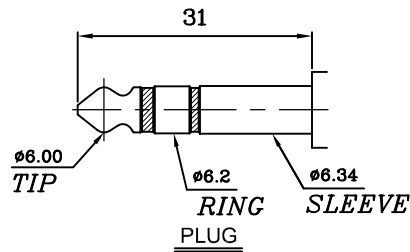
B

C

D

E

F



8	METAL RING/BRASS/Ni	2
7	GROUNDING/BRASS/Ag	1
6	RING/P. B. S. /Ag	2
5	SLEEVE/P. B. S. /Ag	2
4	TIP/P. B. S. /Ag	2
3	MODERATO/PBT/BLACK	1
2	BACK COVER/PBT/BLACK	2
1	BODY/PBT/BLACK	2
	Description	Qty.

MODEL	J-63SCHC-2A/6.4MM PHONE
TITLE	

SP 崧柏電子有限公司
SOUND PLUG ELECTRONIC CO.;LTD.
Tel:886-6-3842328 Fax:886-6-3842356