

A

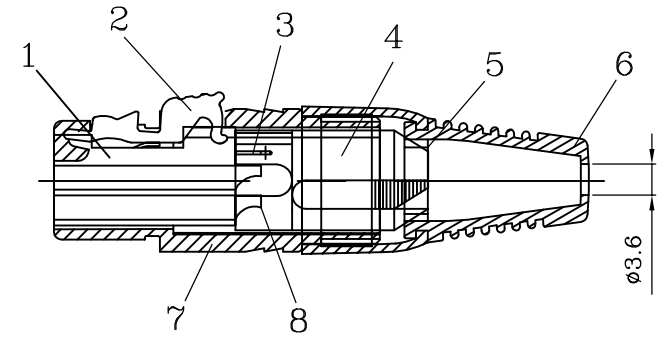
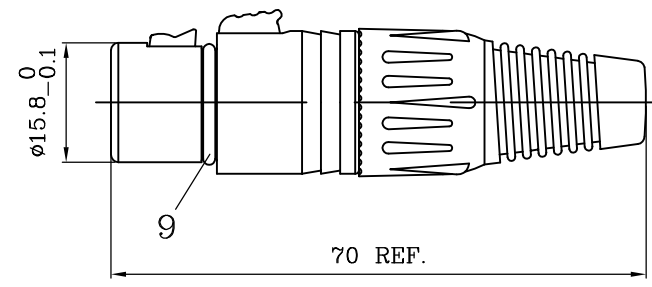
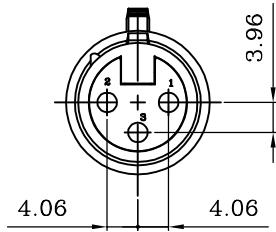
B

C

D

E

F



**SPECIFICATIONS:**

CONTACT RESISTANCE-<3m


INSULATION RESISTANCE->1G

DIELECTRIC STRENGTH-1500V/DC

LIFE TIME(MATING CYCLES)>1000

註:孔位公差皆為±0.05

9	DAN-F 矽膠圈	1
8	DAN-3F052/DAN-3F PIN/鍍銅/鍍金&鍍銀	3
	DAN-3F051/DAN-3F PIN/磷銅/鍍鎳&鍍金	
7	DAN母鍍管加工/電鍍&烤漆	1
6	DAN 橡膠尾套+尾殼/TPR+ABS耐衝擊	1
5	DAN 尾套華司/ABS耐衝黑色	1
4	DAN-F/M 三葉夾線/POM/BLACK	1
3	DAN-F 母座彈片/鍍鎳	1
2	DAN-F 鋅合金按鍵/鍍鎳	1
1	DAN 3P母黑粒/PBT-BLACK	1
	Description	Qty.

MODEL	3P XLR FEMALE CONNECTOR	 <b>崧柏電子有限公司</b> SOUND PLUG ELECTRONIC CO.;LTD. Tel:886-6-3842328 Fax:886-6-3842356
TITLE		