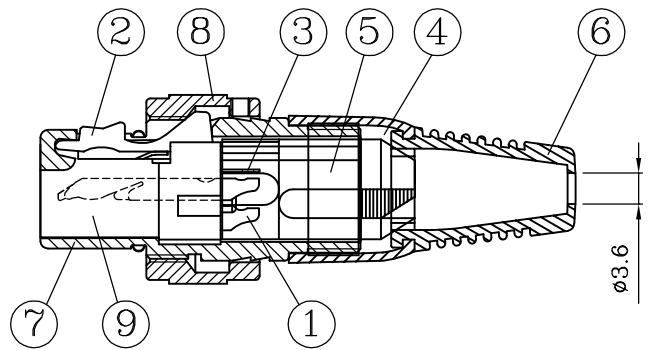


SPECIFICATIONS:
CONTACT RESISTANCE-<3m
INSULATION RESISTANCE->1G
DIELECTRIC STRENGTH-1500V/DC
LIFE TIME(MATING CYCLES)>1000



E	10	DAN-F 矽膠圈	1
	9	DAN 3P母黑粒	1
	8	DAN LOCK/C3604/鍍黑鉻	1
	7	DAN-F 鋅管/鍍黑鉻	1
	6	DAN 橡膠尾套+尾殼/TPR+ABS耐衝擊	1
F	5	DAN-F/M 三葉夾線/POM	1
	4	DAN 尾套華司/ABS耐衝擊黑色	1
	3	DAN-F 母座彈片/鍍鎳	1
	2	DAN-SF 按鈕/SUS304	1
	1	DAN-3F PIN/BRASS/鍍鎳	3
		Description	Qty.

MODEL	DAN-3SFB BLACK Cr. PLATED SHELL
TITLE	DAN-XLR RING LOCK FEMALE CONNECTOR


崧柏電子有限公司
 DAE HUAN ELECTRONIC CO.;LTD.
 Tel:886-6-3842328 Fax:886-6-3842356