

A

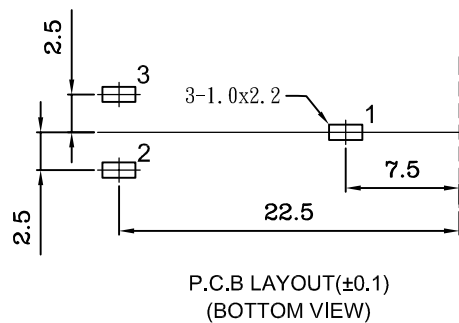
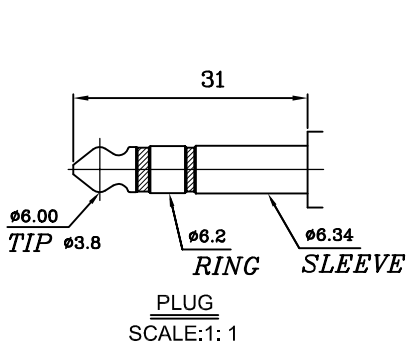
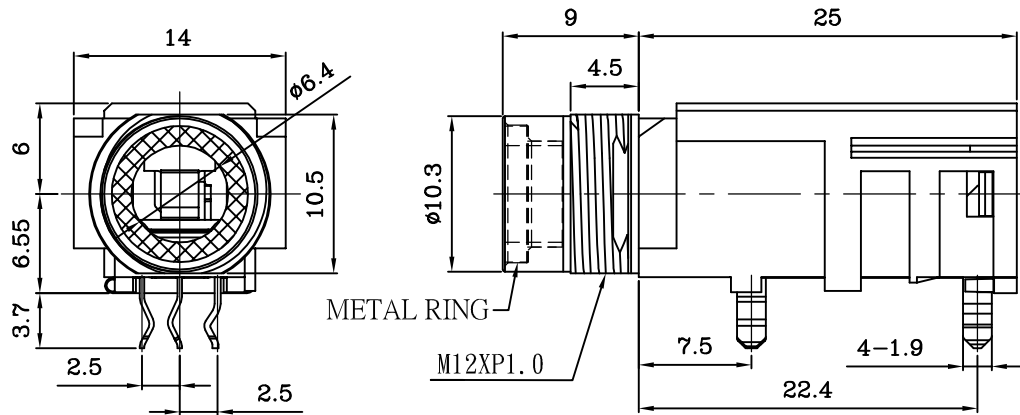
B

C

D

E

F



B: Metal ring specification

Code No.	A	G
Specification	Nickel-plated	Au-plated

C: Nut specification

Code No.	A	B
Specification	12x14x2.0mm	12x14x2.3mm

D: Washer specification

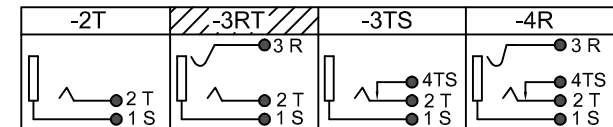
Code No.	A
Specification	12x18x0.5mm

E: Washer quantity: Does not write representative 1

G: Spare code:

Code No.	G
Specification	Gold-plated PIN Leg

F: Schematic



6	METAL RING/BRASS/Ni	1
5	SLEEVE/P. B. S/Ag	1
4	RING/P. B. S/Ag	1
3	TIP/P. B. S/Ag	1
2	BACK COVER/P. B. T/BLACK	1
1	BODY/P. B. T/BLACK	1
	Description	Qty.

MODEL J-63SCHA/6.4mm PHONE JACK
TITLE

 崧柏電子有限公司
SOUND PLUG ELECTRONIC CO.;LTD.
Tel:886-6-3842328 Fax:886-6-3842356