

1 2 3 4 5 6 7 8 9

A

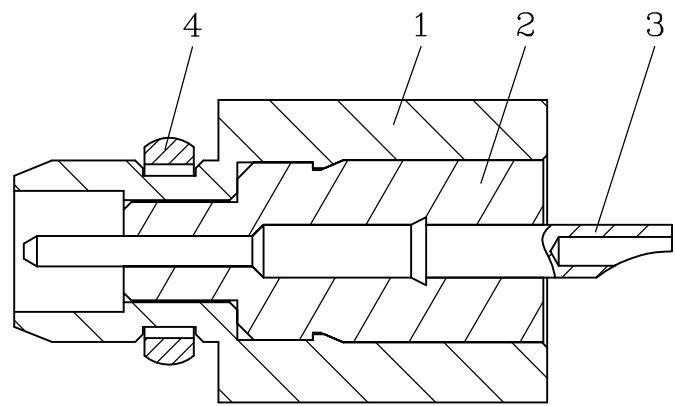
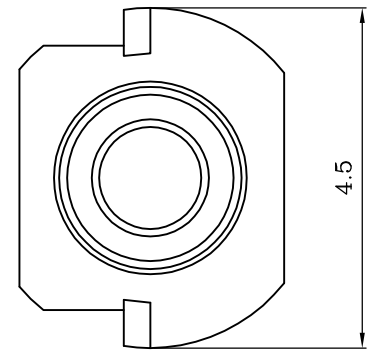
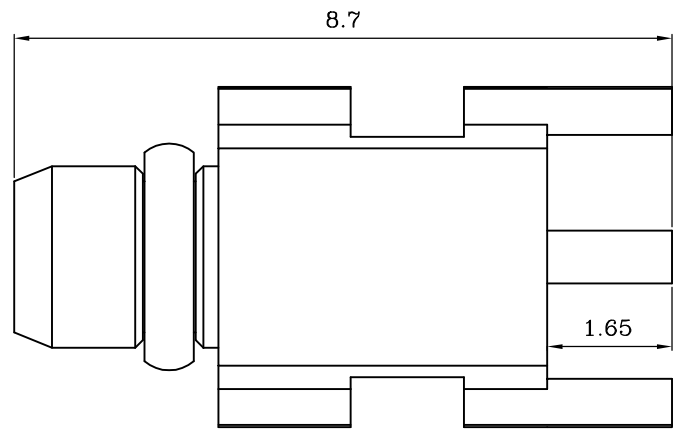
B

C

D

E

F



4	C Ring/Be Copper	1
3	Pin/C3604	1
2	Insulation/TEFLON	1
1	Shell/C3604	1
	description	Qty.

MODEL	IR-MCP02/MMCX PLUG
TITLE	


**崧柏電子有限公司**  
 SOUND PLUG ELECTRONIC CO.;LTD.  
 Tel:886-6-3842328 Fax:886-6-3842356