

A

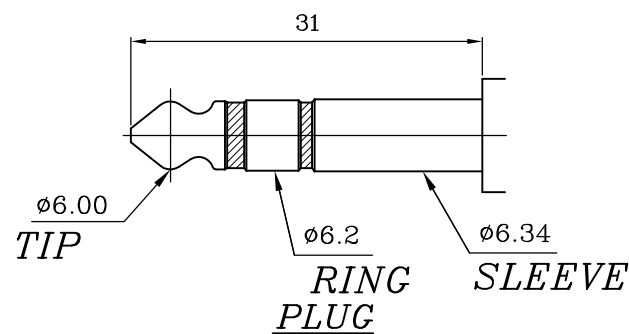
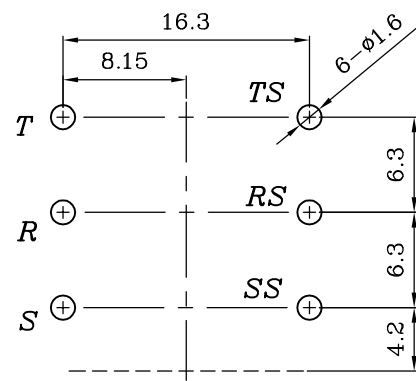
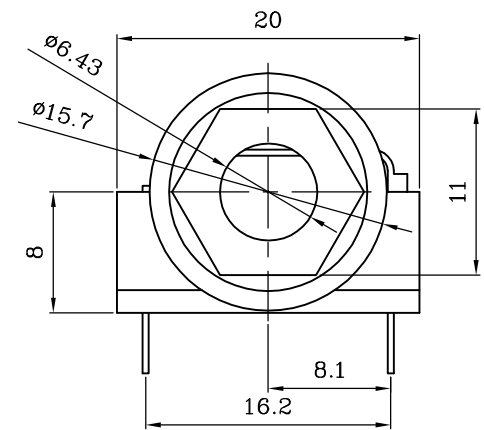
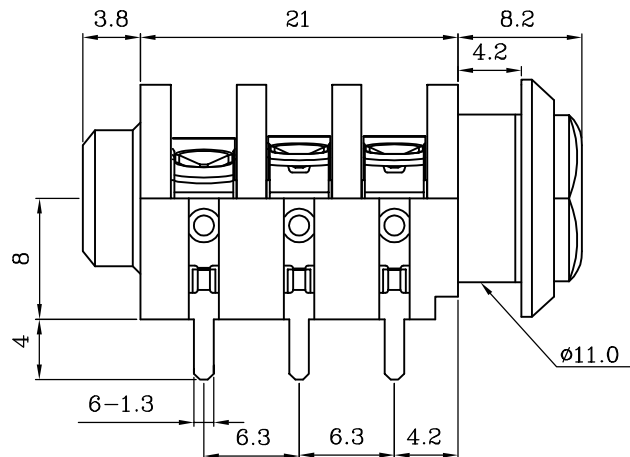
B

C

D

E

F



P.C.B LAYOUT(±0.1)
(BOTTOM VIEW)

D:PIN leg differences :

Code No.	No indication	W	H	L
Specification	8 mm	Wire soldering 8 mm	10 mm	12.5 mm

E:Nut specification :

Code No.	A	B	C	D
Specification	Nickel-plated Black plastic washer	Chrome-plated Black plastic washer	White Chrome-plated Black plastic washer	Gold-plated Black plastic washer

F:Washer specification :

Code No.	A	B	C
Specification	11.3x15.4x1.0mm	11.3x15.4x1.6mm	11.1x15.2x1.0mm

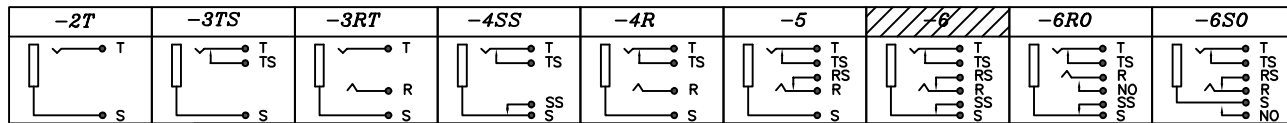
G:Washer quantity : Does not write representative 1

I:Reserved No :

Code No.	C	E	G	K
Function Indication	Direction	Iron shell	Gold-plated PIN leg	Bended PIN

未標示公差±0.3

H:Schematic:



5	WASHER	NYLON/BLACK	1
4	HOUSING	NYLON/BLACK	1
3	BUSHING	BRASS/Ni	1
2	TIP SPRING	P. B. S/Ni/Ag	3
1	SHUNT SPRING	BRASS/Ni/Ag	3
	Part NO.	Description/Plating/Color	Qty.

MODEL J-63SCHD 6.4mm PHONE JACK

TITLE



崧柏電子有限公司

SOUND PLUG ELECTRONIC CO.;LTD.

Tel:886-6-3842328 Fax:886-6-3842356