

A

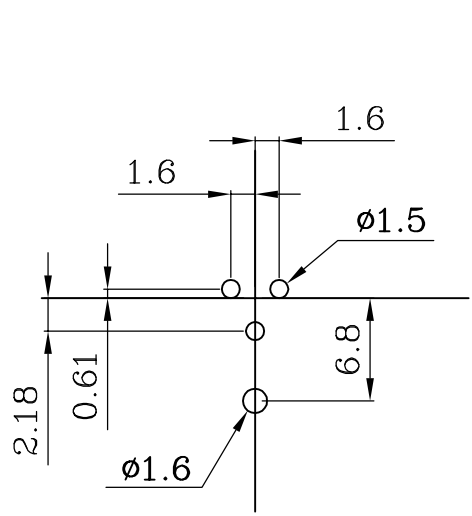
B

C

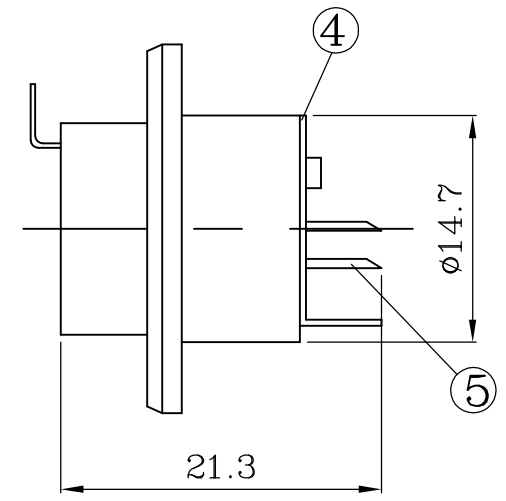
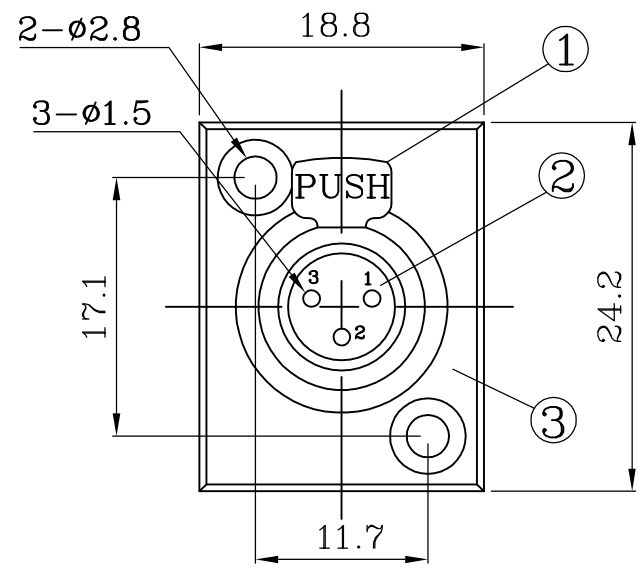
D

E

F



Layout tolerance: ± 0.2



| | | |
|---|----------------|------|
| 5 | TQ-FC/母 PIN/鍍金 | 3 |
| 4 | 固定片/鍍鎳 | 1 |
| 3 | TQ-FC 鋅殼/鍍鎳 | 1 |
| 2 | 迷你3P母座/黑/PPS | 1 |
| 1 | PUSH/鍍鎳 | 1 |
| | Description | Qty. |

| | |
|-------|------------------------|
| MODEL | TQ-3FC MINI XLR SOCKET |
| TITLE | |


崧柏電子有限公司
 SOUND PLUG ELECTRONIC CO.;LTD.
 Tel:886-6-3842328 Fax:886-6-3842356