

1	2	3	4	5	6	7	8	9
---	---	---	---	---	---	---	---	---

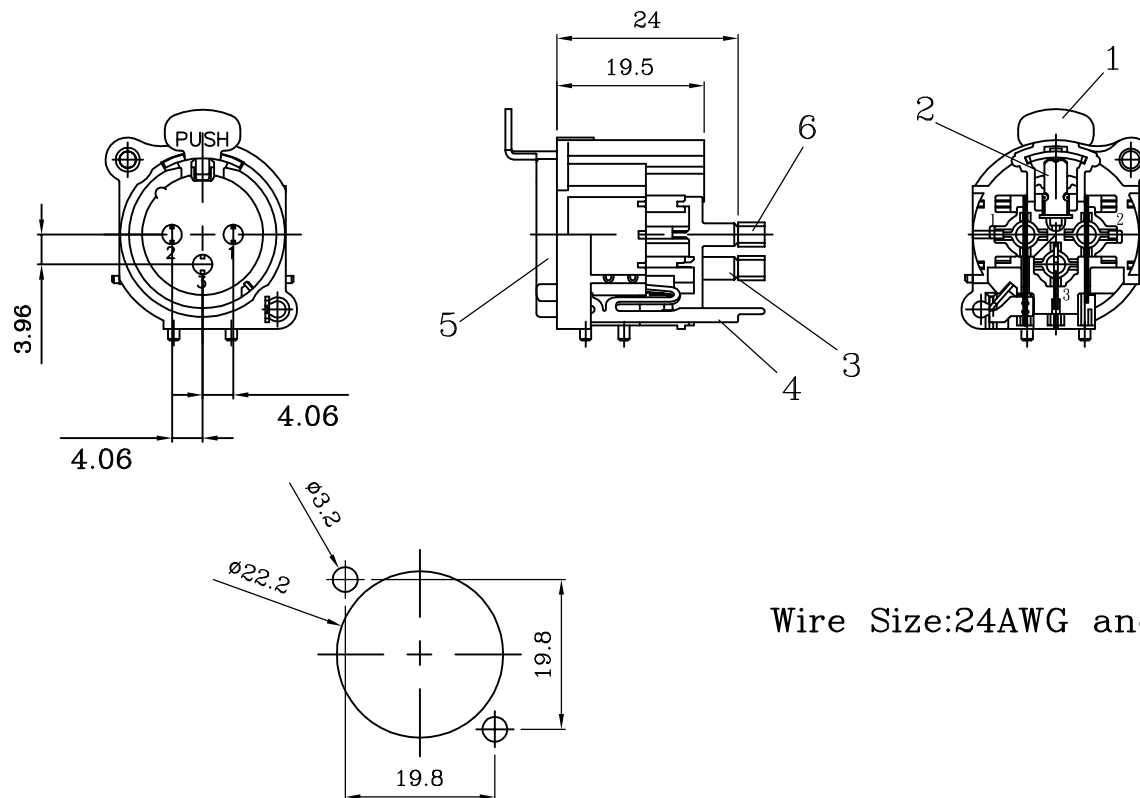
A

B

C

D

E



Wire Size:24AWG and 26AWG

Panel cut out (rear side)

Specification

Contact resistance:<5mΩ
Insulation resistance:1GΩ
Dielectric strength:1500Vdc
Insertion/withdrawal force:<20N
Life time(mating cycles):>1000
Temperature range:-30°C TO +80°C

F	6	DAC-FAS 180度/1&2號PIN/焊接式/剖溝尾段/鍍金	2
	5	DAC-3F 圓型塑膠母座	1
	4	DAC-3FAV 180度接地端子/鍍鎳	1
	3	DAC-FAS 180度/3號PIN/焊接式/剖溝尾段/鍍金	1
	2	DAC-F 彈片/SKD-5 熱處理/鍍鎳	1
	1	DAC-3F PUSH/鍍鎳	1
		Description	Qty.

MODEL	DAC-3FAS Push Lock/Wire Type
TITLE	DAC-3P XLR Female Chassis Connector


崧柏電子有限公司
 SOUND PLUG ELECTRONIC CO.;LTD.
 Tel:886-6-3842328 Fax:886-6-3842356