

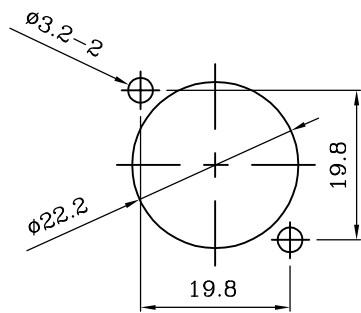
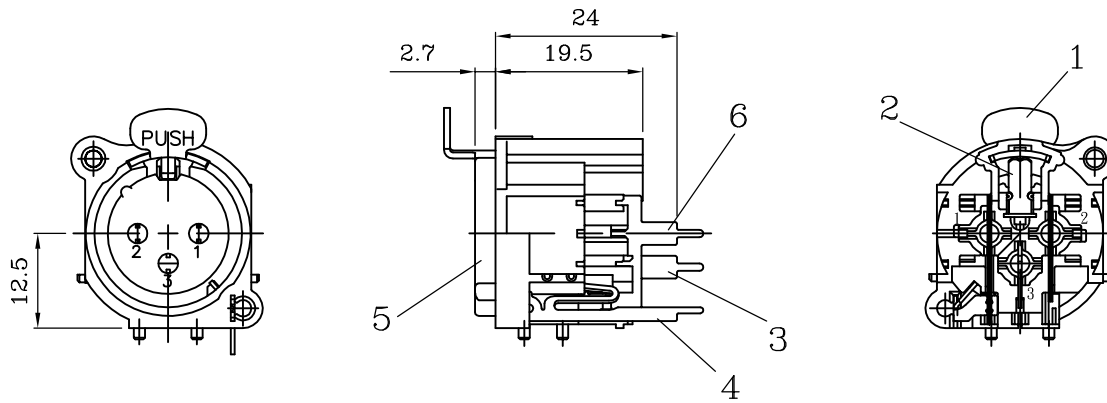
A

B

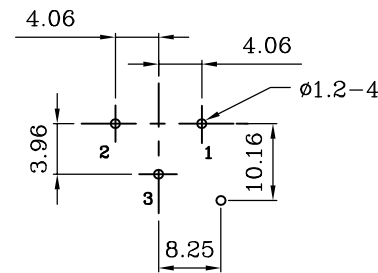
C

D

E



Panel cut out (rear side)



PCB-LAYOUT (component side)

Specification

Contact resistance:	<5mΩ
Insulation resistance:	1GΩ
Dielectric strength:	1500Vdc
Insertion/withdrawal force:	<20N
Life time(mating cycles):	>1000
Temperature range:	-30°C TO +80°C

F	6	DAC-3FAV 180度 1&2號PIN/BRASS/鍍金	2
	5	DAC-3F 圓型塑膠母座/PA66/黑	1
	4	DAC-3FAV 180度接地端子/BRONZE/鍍鎳	1
	3	DAC-3F 180度 3號PIN/BRASS/鍍金	1
	2	DAC-F 彈片/K5/熱處理	1
	1	DAC-F PUSH/BRONZE/鍍鎳	1
	Description		Qty.

MODEL	DAC-3FAV/ Push Lock Horizontal PCB Mount
TITLE	DAC-3P XLR Female Chassis Connector


崧柏電子有限公司
 SOUND PLUG ELECTRONIC CO.;LTD.
 Tel:886-6-3842328 Fax:886-6-3842356