

A

B

C

D

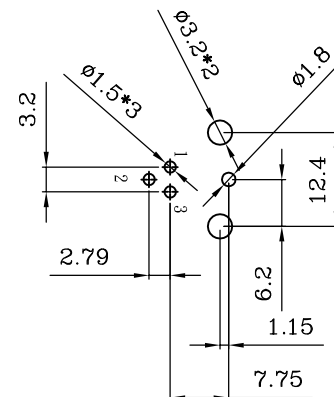
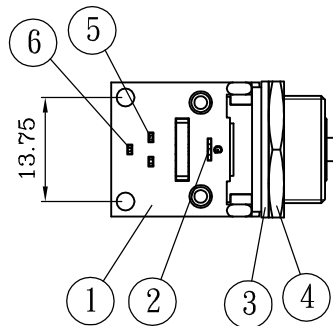
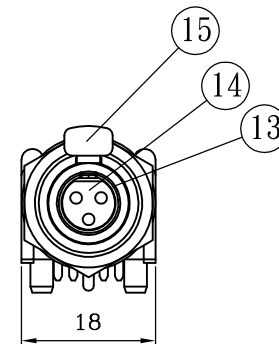
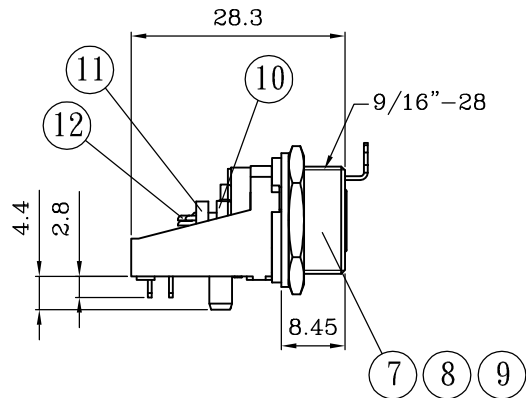
E

F

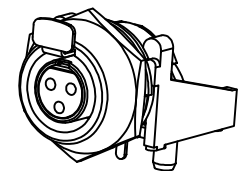
Notes:
 1. Tolerances: Decimal ± 0.2 , unless otherwise specified.
 2. Part must conform to RoHS compliance
 3. Plastic parts must conform to UL 94 V-0 compliant.

Specification:
 Electrical
 Contact resistance: < 0.03 ohm
 Insulation resistance: > 500 Megaohm
 Dielectric strength: 1000VDC
 Rated current: 5A

Mechanical
 Lifetime: Insert & withdraw > 5000 cycle
 Insertion 6.1 lb/withdrawal 5.6 lb Max.



Layout
 Tolerance: ± 0.1



15	Latch/Brass/Ni Plated	1
14	Core/PPS/Black	1
13	Shell/Brass/Ni Plated	1
12	Pin/Brass/Au Plated	3
11	PCB板	1
10	Washer/PPS/Black	1
9	Spring/SUS 304	1
8	Spring/SUS 304/Ni Plated	1
7	Shell/Brass/Ni Plated	1
6	Pin/Brass/Au Plated	1
5	Pin/Brass/Au Plated	2
4	Nut/Brass/Ni Plated	1
3	Spring washer/SW62C/Ni Plated	1
2	G-Pin/Brass/Ni Plated	1
1	Mount/LCP/Black	1
	Description	Qty.

MODEL	3-Pin Female Receptacle
TITLE	


崧柏電子有限公司
 DAE HUAN ELECTRONIC CO.;LTD.
 Tel:886-6-3842328 Fax:886-6-3842356